



## Power-Take-Off Drive

# Self Priming Centrifugal Pump

### Models 03H1-GL, 03H1-GR, 03H3-GL and 03H3-GR

### Size 3" x 3"

#### PUMP SPECIFICATIONS

**Size:** 3" x 3" (76 mm x 76 mm) NPT - Female.

**Casing:** (03H1) Aluminum Alloy 356-T6.  
(03H3) Ductile Iron 60-40-18.

Maximum Operating Pressure 176 psi (1214 kPa).\*

**Enclosed Type, Five Vane Impeller:** Almag 35.  
Handles 7/16" (11,1 mm) Diameter Spherical Solids.

**Pinion Shaft:** Alloy Steel 4320.

**Shaft Sleeve:** Alloy Steel 4130

**Replaceable Wear Ring:** Copper Alloy C93200.

**Seal Plate:** Gray Iron 30.

**Seal Guard:** Copper Alloy C26000.

**Gearbox Housing:** Gray Iron 30.

**Gearbox Lubrication:** SAE 90 Gear Oil.

**Gear:** Alloy Steel 4620.

**Gear Ratio:** 4.09:1 Increase.

**Bearings:** Open Single Row Ball.

**Flanges:** (03H1) Aluminum Alloy 356-T6.  
(03H3) Ductile Iron 60-40-18.

**Gaskets:** Buna-N <sup>w/</sup>Cork and Vegetable Fiber.

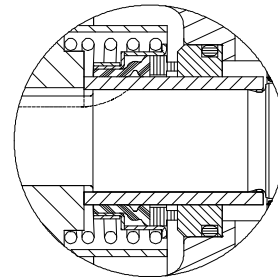
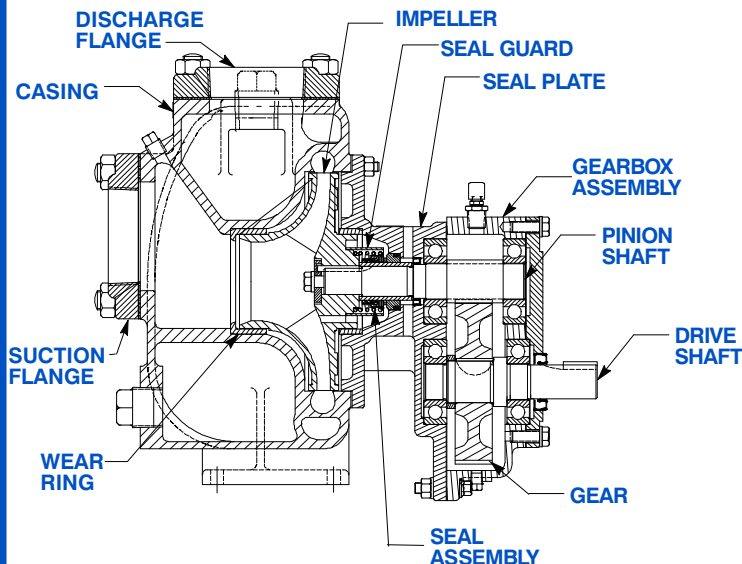
**O-Rings:** Buna-N.

**Hardware:** Standard Plated Steel.

**Optional Equipment:** Victaulic™ Elbow.

Victaulic is a Registered Trademark of Victaulic Company of America.

*\*Consult Factory for Applications Exceeding  
Maximum Pressure and/or Temperature Indicated.*



#### SEAL DETAIL

Type 2, Mechanical, Self-Lubricated. Carbon Rotating Face. Ni-Resist Stationary Face. Fluorocarbon Elastomers (DuPont Viton® or Equivalent). Stainless Steel 18-8 Cage and Spring. Maximum Temperature of Liquid Pumped, 160°F (71°C).\*



THE GORMAN-RUPP COMPANY • MANSFIELD, OHIO

GORMAN-RUPP OF CANADA LIMITED • ST. THOMAS, ONTARIO, CANADA

www.grpumps.com

Specifications Subject to Change Without Notice

Printed in U.S.A.

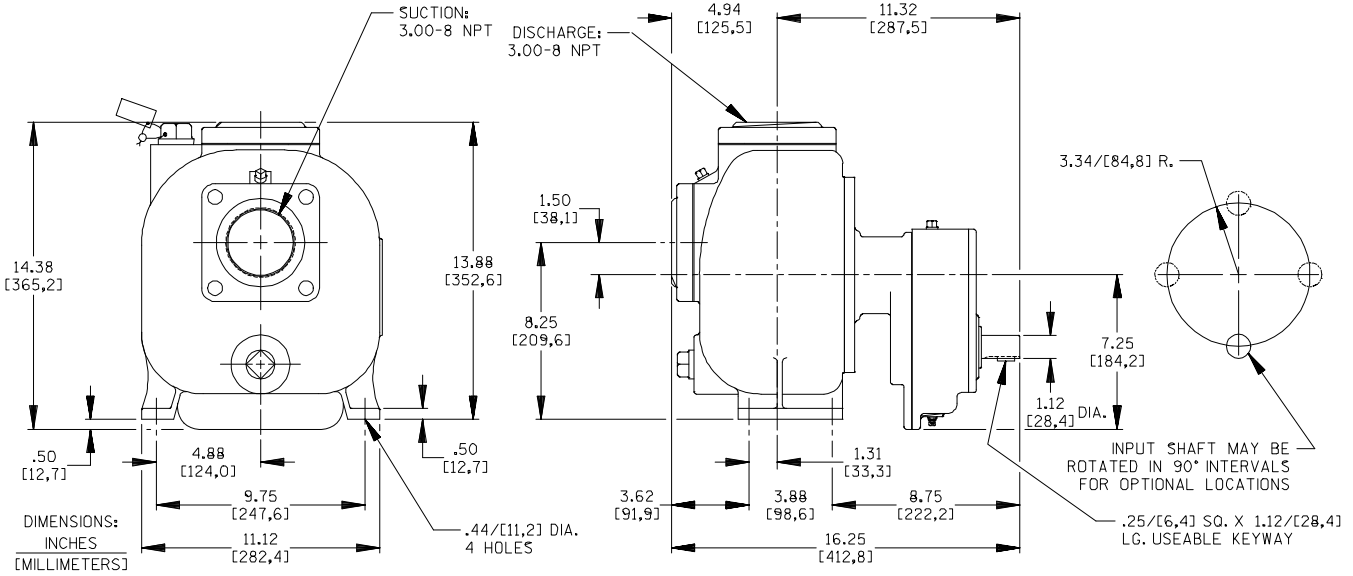
**Specification Data**

APPROXIMATE  
DIMENSIONS and WEIGHTS

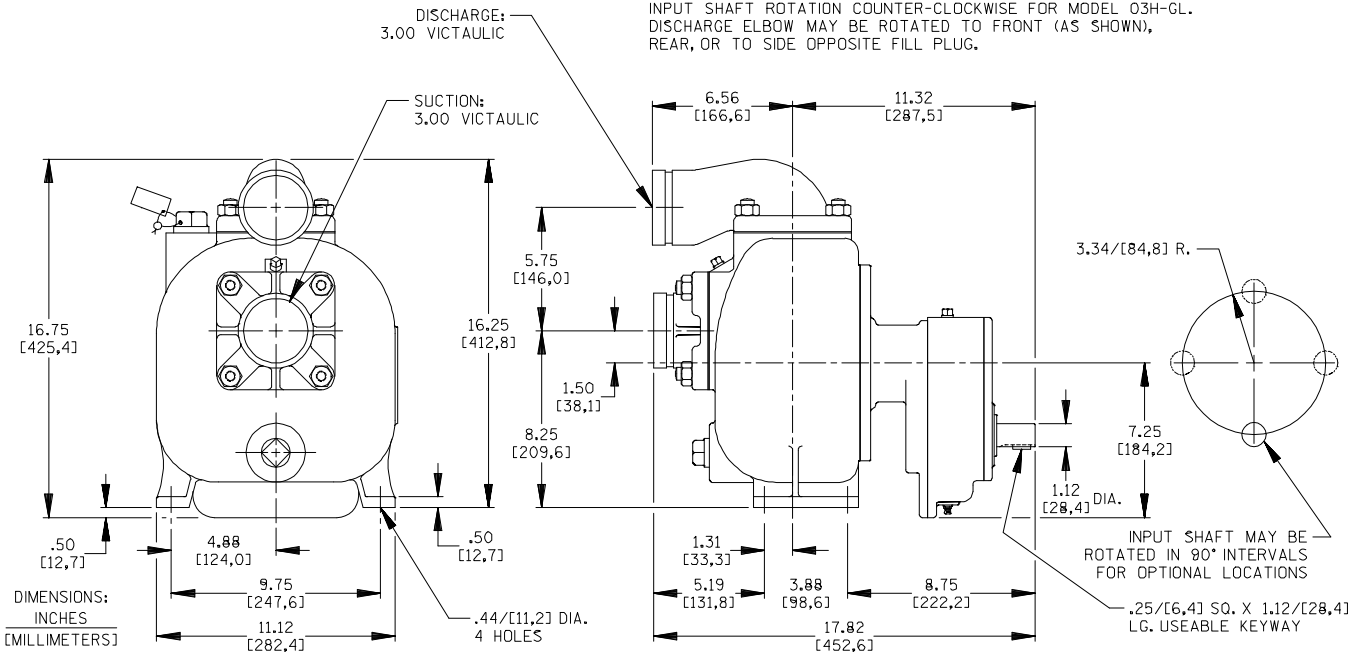
<b>NET WEIGHT:</b>	<b>03H1-GL &amp; 03H1-GR</b> 68 LBS. (33,5 KG.)	<b>03H3-GL &amp; 03H1-GR</b> 104 LBS. (47,1 KG.)
<b>SHIPPING WEIGHT:</b>	78 LBS. (39,4 KG.)	114 LBS. (51,7 KG.)
<b>EXPORT CRATE SIZE:</b>	3.5 CU. FT. (0,10 CU. M.)	

SECTION 110, PAGE 600

NOTE:  
INPUT SHAFT ROTATION CLOCKWISE FOR MODELS 03H-GR.  
INPUT SHAFT ROTATION COUNTER-CLOCKWISE FOR MODEL 03H-GL.



NOTE:  
INPUT SHAFT ROTATION CLOCKWISE FOR MODELS 03H-GR.  
INPUT SHAFT ROTATION COUNTER-CLOCKWISE FOR MODEL 03H-GL.  
DISCHARGE ELBOW MAY BE ROTATED TO FRONT (AS SHOWN),  
REAR, OR TO SIDE OPPOSITE FILL PLUG.



THE GORMAN-RUPP COMPANY • MANSFIELD, OHIO

GORMAN-RUPP OF CANADA LIMITED • ST. THOMAS, ONTARIO, CANADA

Specifications Subject to Change Without Notice

Printed in U.S.A.



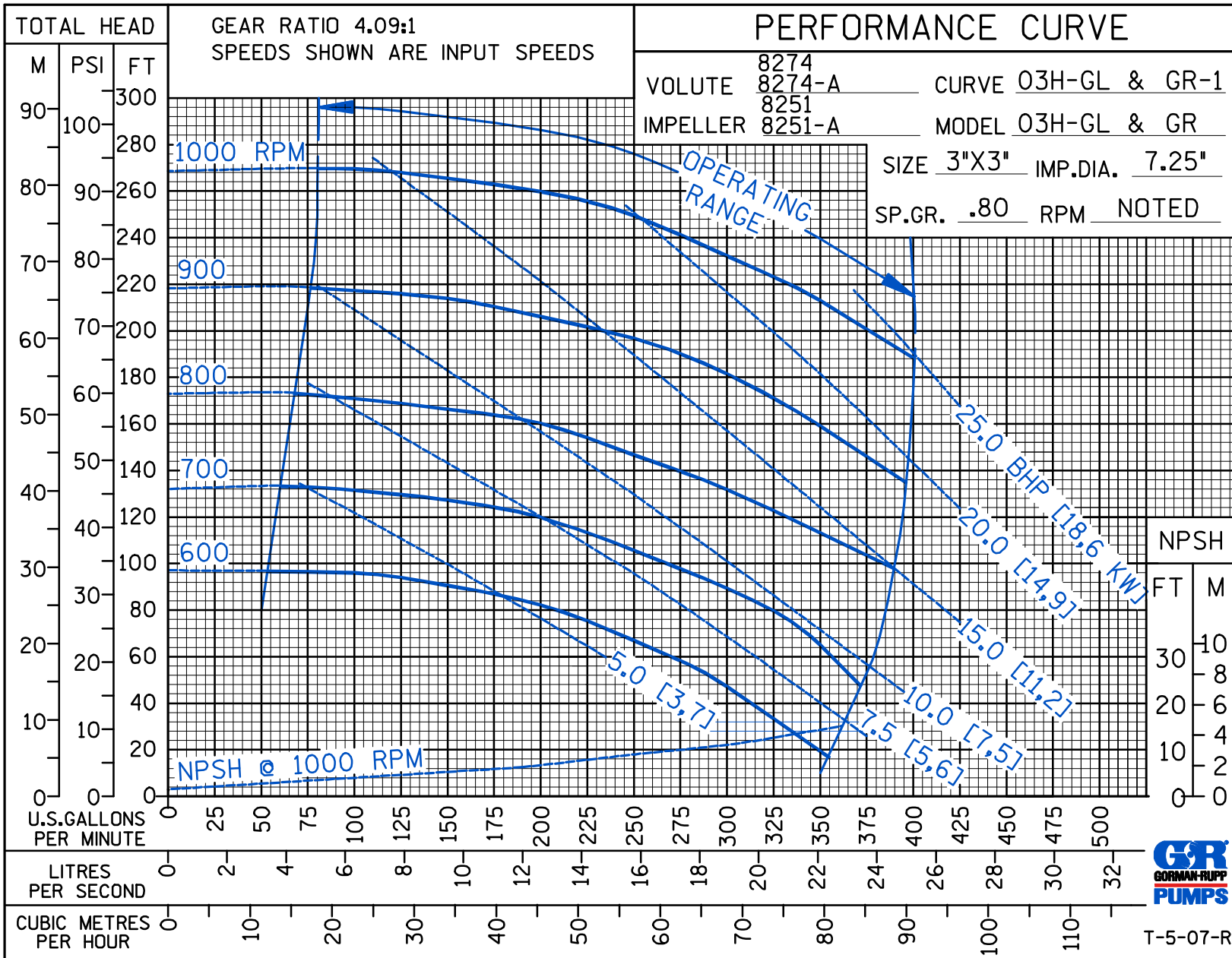
THE GORMAN-RUPP COMPANY • MANSFIELD, OHIO  
 GORMAN-RUPP OF CANADA LIMITED • ST. THOMAS, ONTARIO, CANADA  
 www.grpumps.com

© Copyright by the Gorman-Rupp Company 2007

Specifications Subject to Change Without Notice

Printed in U.S.A.

PERFORMANCE BASED ON PETROLEUM



Curve Data

ABEGQ

Sec. 110

PAGE 600.1  
JULY 2007

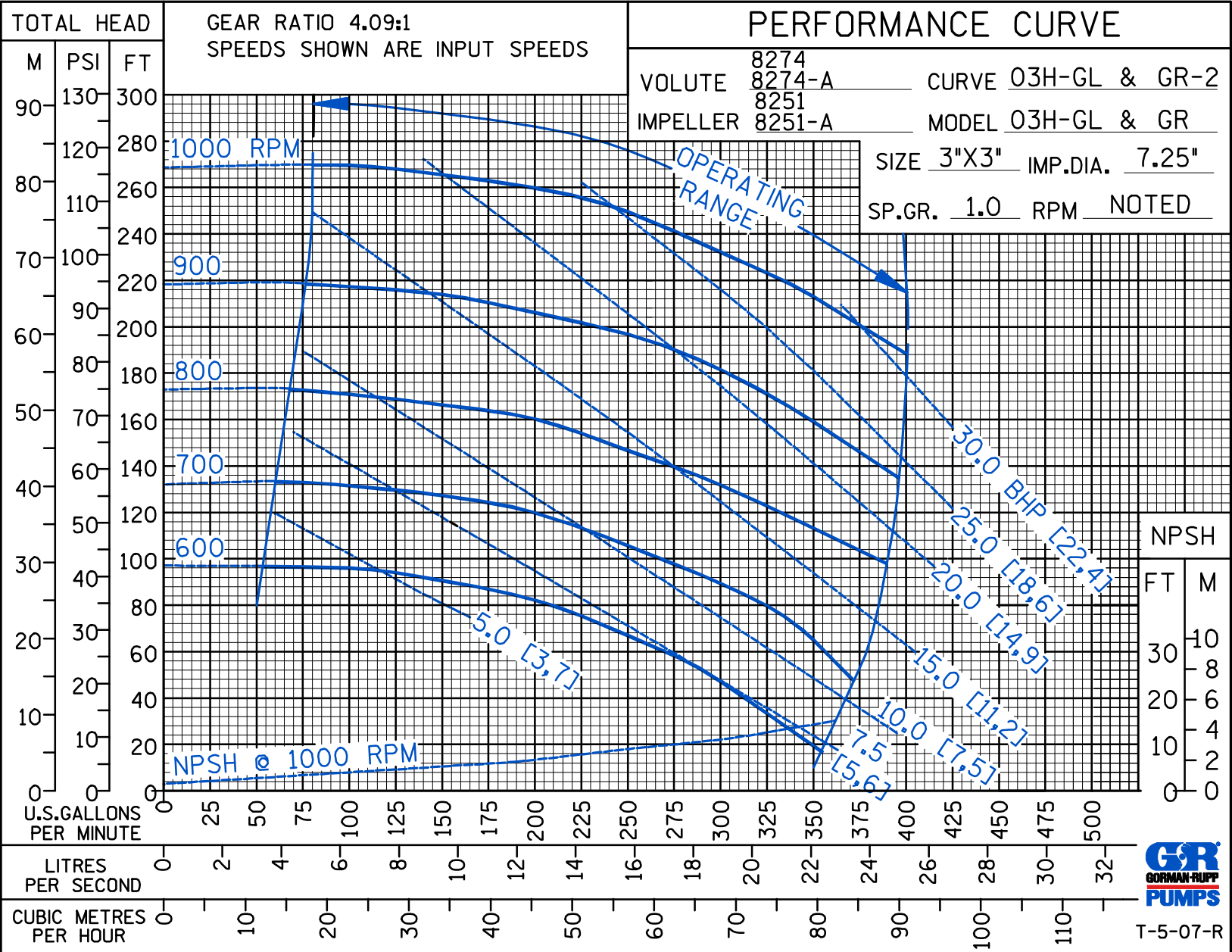
**PERFORMANCE BASED ON WATER**



**THE GORMAN-RUPP COMPANY • MANSFIELD, OHIO**  
 GORMAN-RUPP OF CANADA LIMITED • ST. THOMAS, ONTARIO, CANADA  
 www.grpumps.com

© Copyright by the Gorman-Rupp Company 2007

Printed in U.S.A.



T-5-07-R

ABEGQ

Curve Data

Sec. 110

PAGE 600.2  
JULY 2007