



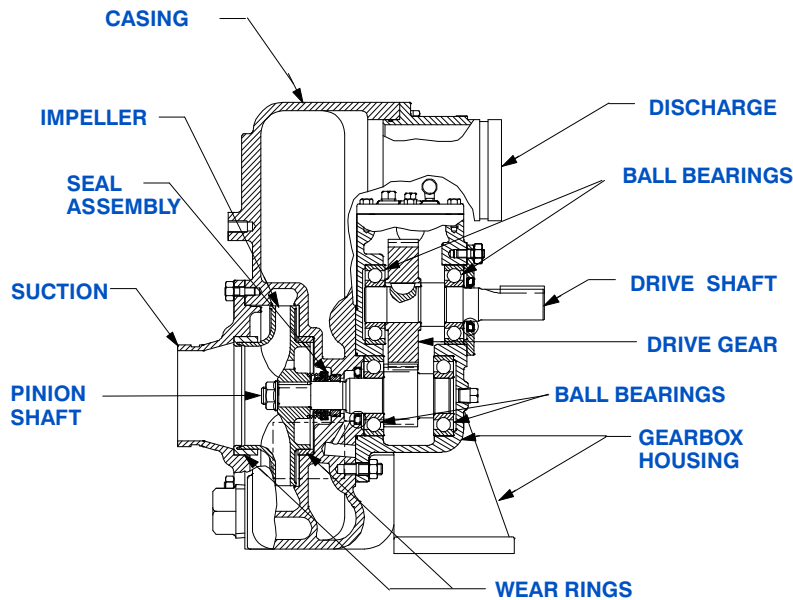
Q
For Power-Take-Off Drive
Self Priming Centrifugal Pump
Model 04E1-GA
Size 4" x 4"

PUMP SPECIFICATIONS

- Size:** 4" x 4" (102 mm x 102 mm) Victaulic®.
- Casing:** Aluminum 356-T6.
Maximum Operating Pressure 322 psi (2219 kPa).*
- Enclosed Type, Six Vane Impeller:** Aluminum 356-T6.
Handles 11/16" (17 mm) Diameter Spherical Solids.
- Two Replaceable Wear Rings:** Gray Iron 30.
- Suction Head:** Aluminum 356-T6.
- Gearbox Housing:** Gray Iron 30.
- Gears:** Alloy Steel 8620.
- Gear Ratio:** 2.18:1 Increaser.
- Bearings:** Open Single Row Ball.
Gearbox Lubrication: SAE 90 Gear Oil.
- Discharge Flange:** Aluminum 356-T6.
- Gaskets:** Vegetable Fiber and Cork.
- O-Rings:** Buna-N and Fluorocarbon (DuPont Viton® or Equivalent).
- Hardware:** Standard Plated Steel.
- Optional Equipment:** Copper Alloy C83600 Impeller and Wear Ring.

**Consult Factory for Applications Exceeding Maximum Pressure and/or Temperature Indicated.*

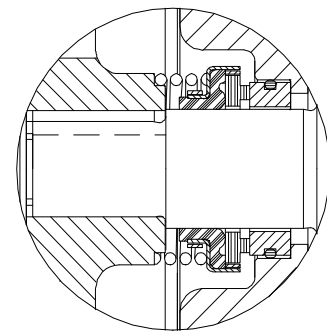
Victaulic is a Registered Trademark of Victaulic Company of America.



SEAL SPECIFICATIONS

Type 2. Mechanical. Self-Lubricated. Carbon Rotating Face. Ni-Resist Stationary Face . Fluorocarbon Elastomers (DuPont Viton® or Equivalent). Stainless Steel 18-8 Cage and Spring. Maximum Temperature of Liquid Pumped, 160°F (71°C).*

SEAL AREA DETAIL



Rotation: Counterclockwise Facing Gearbox Input Shaft.



THE GORMAN-RUPP COMPANY • MANSFIELD, OHIO

GORMAN-RUPP OF CANADA LIMITED • ST. THOMAS, ONTARIO, CANADA

www.grpumps.com

Specifications Subject to Change Without Notice

Printed in U.S.A.

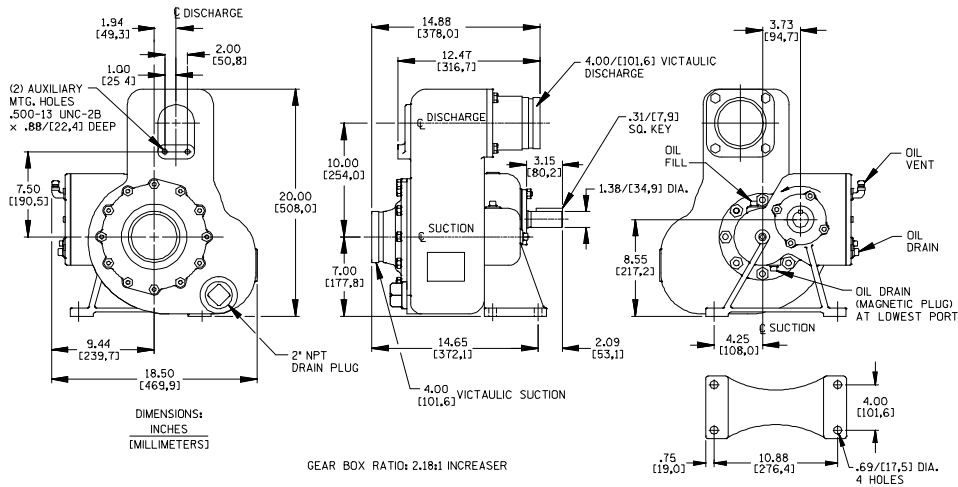
Specification Data

SECTION 110, PAGE 612

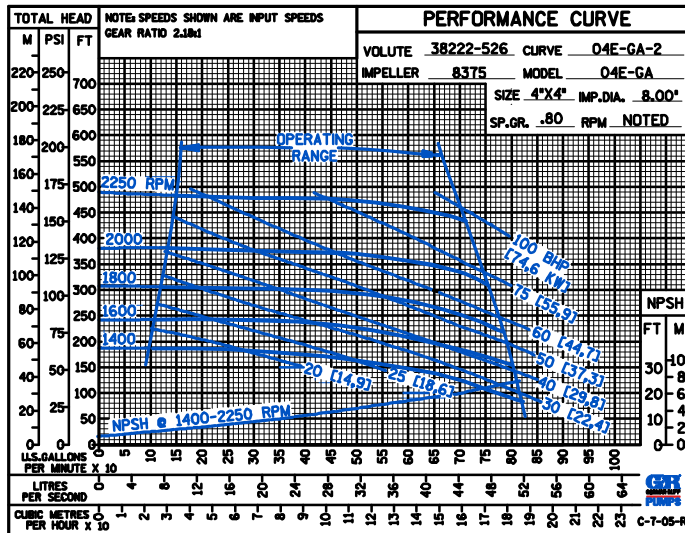
APPROXIMATE
DIMENSIONS and WEIGHTS

NET WEIGHT:
SHIPPING WEIGHT:
EXPORT CRATE:

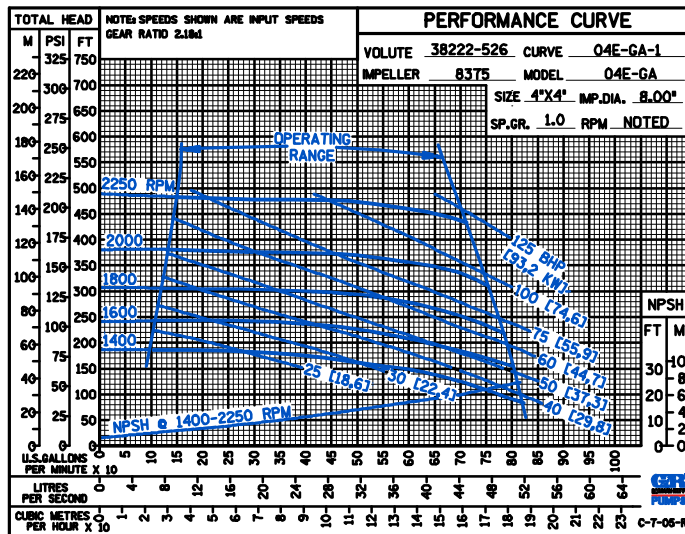
124 LBS. (56 KG)
146 LBS. (66 KG)
10 CU. FT. (0,3 CU. M.)



PERFORMANCE
BASED ON
PETROLEUM



PERFORMANCE
BASED ON
WATER



THE GORMAN-RUPP COMPANY • MANSFIELD, OHIO

GORMAN-RUPP OF CANADA LIMITED • ST. THOMAS, ONTARIO, CANADA

Specifications Subject to Change Without Notice

Printed in U.S.A.